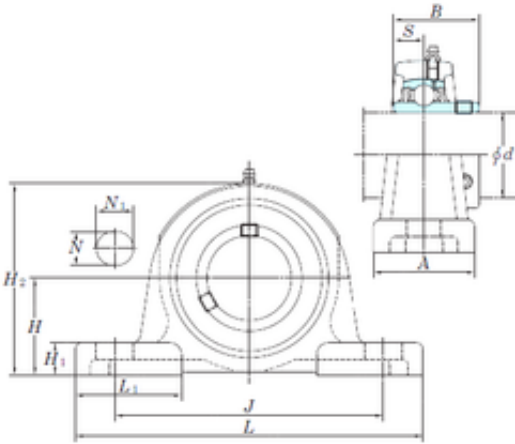




Bearing de Mexico, S.A.

KOYO UCP207 bearing units

Bearing No. UCP207



UCP207 Bearing 2D drawings and 3D CAD models

Bore Diameter	35 mm
Width	42,9 mm
d	35 mm
A	48 mm
B	42,9 mm
H	47,6 mm
H1	16 mm
H2	93 mm
J	127 mm
L	167 mm
L1	51 mm
N	17 mm
N1	21 mm
S	17,5 mm
Bolt (G)	M14
Weight	1,6 Kg
Basic dynamic load rating (C)	25,7 kN
Basic static load rating (C0)	15,4 kN
Bearing No.	UCP207
Bolt size	M14
Cr	25.7
C0r	15.4
f0	13.9
(Refer.)Unit mass(kg)	1.6
Nipple size	1/4-28UNF